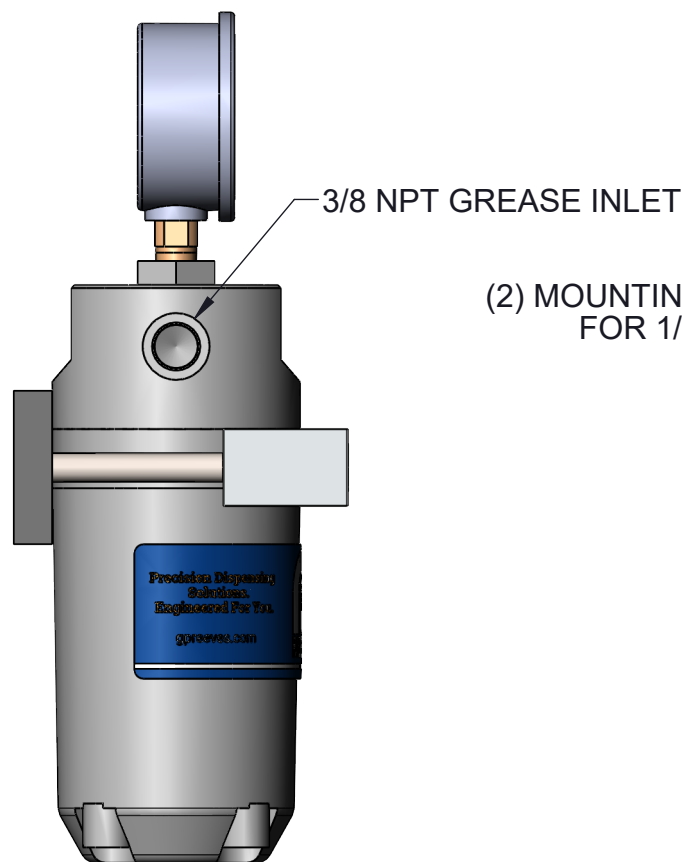
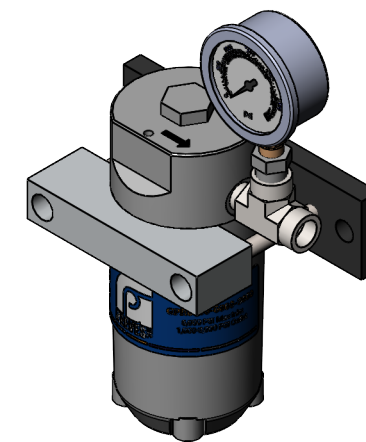
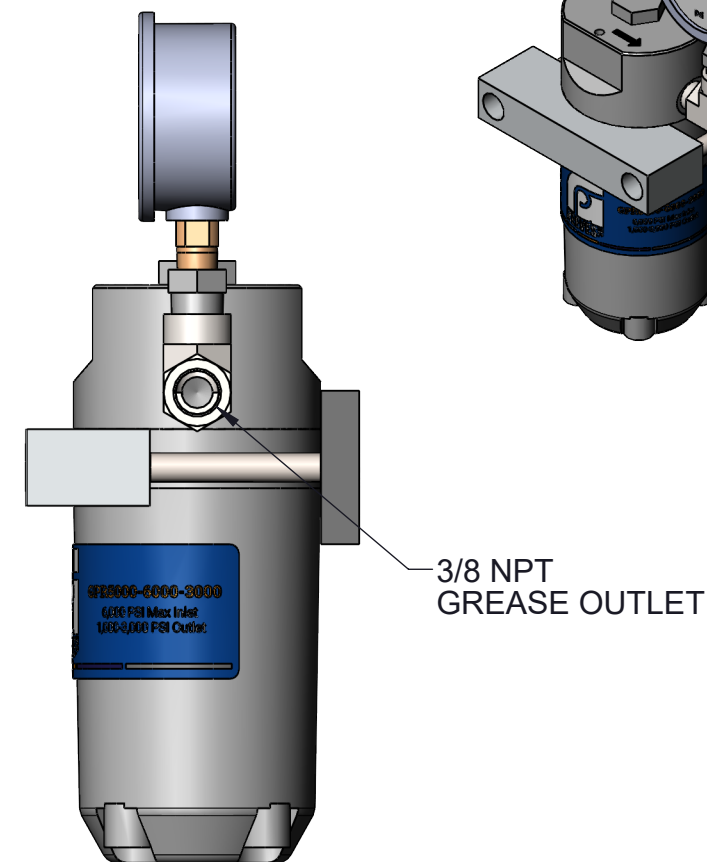
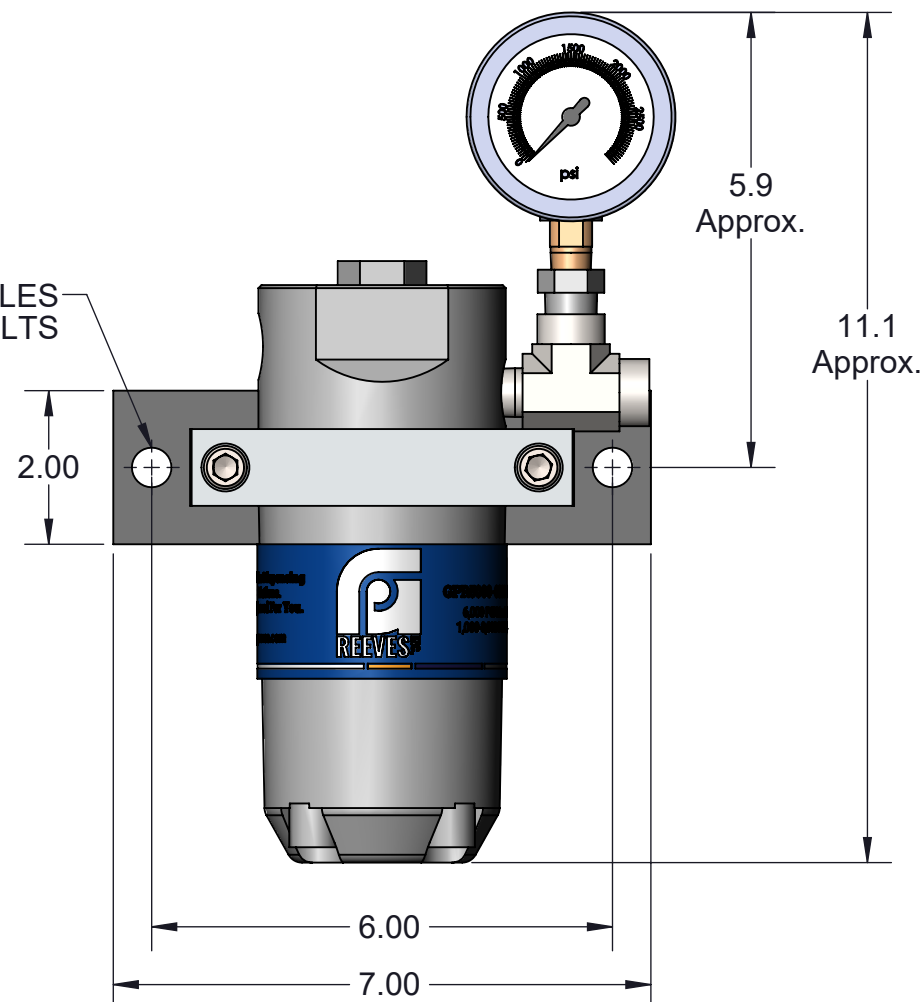


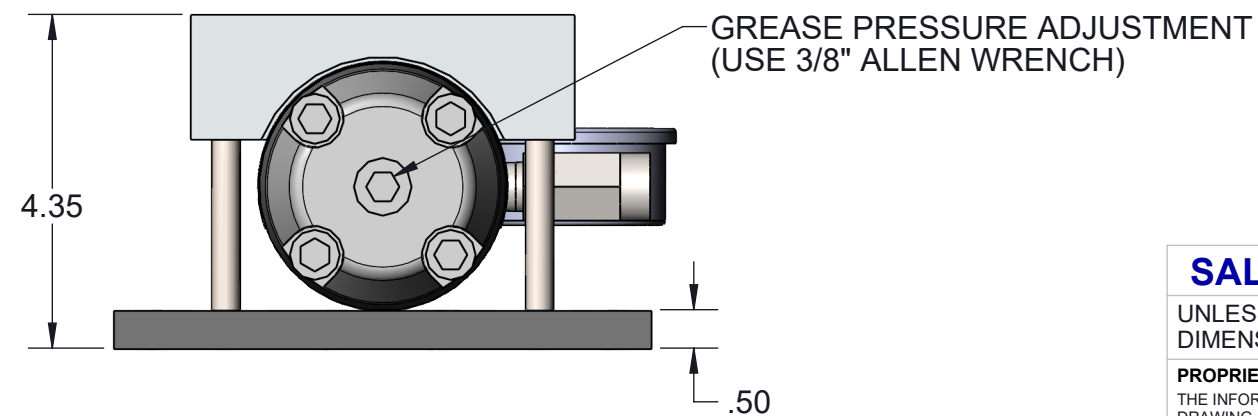
3D Model Available



(2) MOUNTING HOLES FOR 1/2" BOLTS



Regulators are shipped with a flush-out plug for maintenance only. Installing this plug will force the regulator open so that material flows freely through. While installed, **outlet pressure will be equal to supply pressure**. This is used to flush debris from the regulator.



GPR5000-6000-3000:

Material pressure regulator has maximum primary pressure of 6,000 psi and controlled secondary pressure between 1,000 and 3,000 psi. Inlet and outlet ports are 3/8 NPT. Includes mounting bracket for easy panel mounting. Also includes a 0-3,000 PSI output pressure gauge.

| | | | | |
|--|-----|-----------|--|--------------------------------|
| SALES DRAWING | | | GP REEVES INC HOLLAND, MI USA | |
| UNLESS SPECIFIED: DIMENSIONS IN INCHES | | | DESCRIPTION: PRESSURE REGULATOR MAX INLET 6,000 PSI, OUTLET 1,000 - 3,000 PSI, 0-3,000 PSI OUTPUT GAUGE | |
| PROPRIETARY AND CONFIDENTIAL THE INFORMATION CONTAINED IN THIS DRAWING IS THE SOLE PROPERTY OF G.P. REEVES INC. ANY REPRODUCTION IN PART OR AS A WHOLE WITHOUT THE WRITTEN PERMISSION OF G.P. REEVES INC. IS PROHIBITED. | | | | |
| | BY | DATE | DRAWING NO. | REV |
| MODELED | BMA | 11/9/2021 | GPR5000-6000-3000 | A |
| DETAILED | DDF | 8/11/2023 | WEIGHT: | SIZE B SCALE: 2:5 SHEET 1 OF 3 |