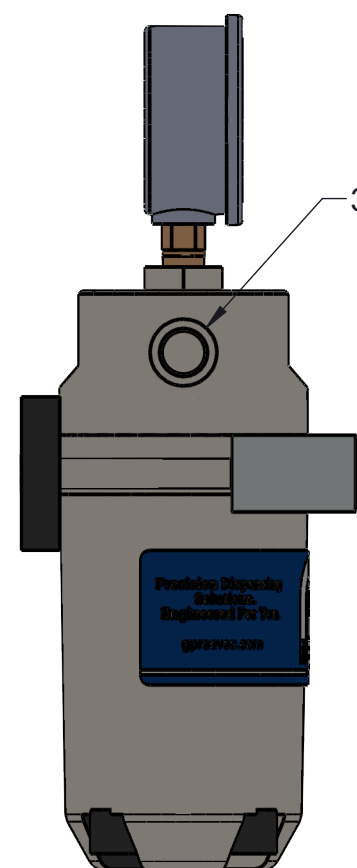
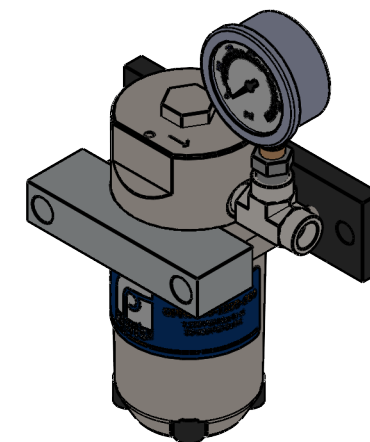
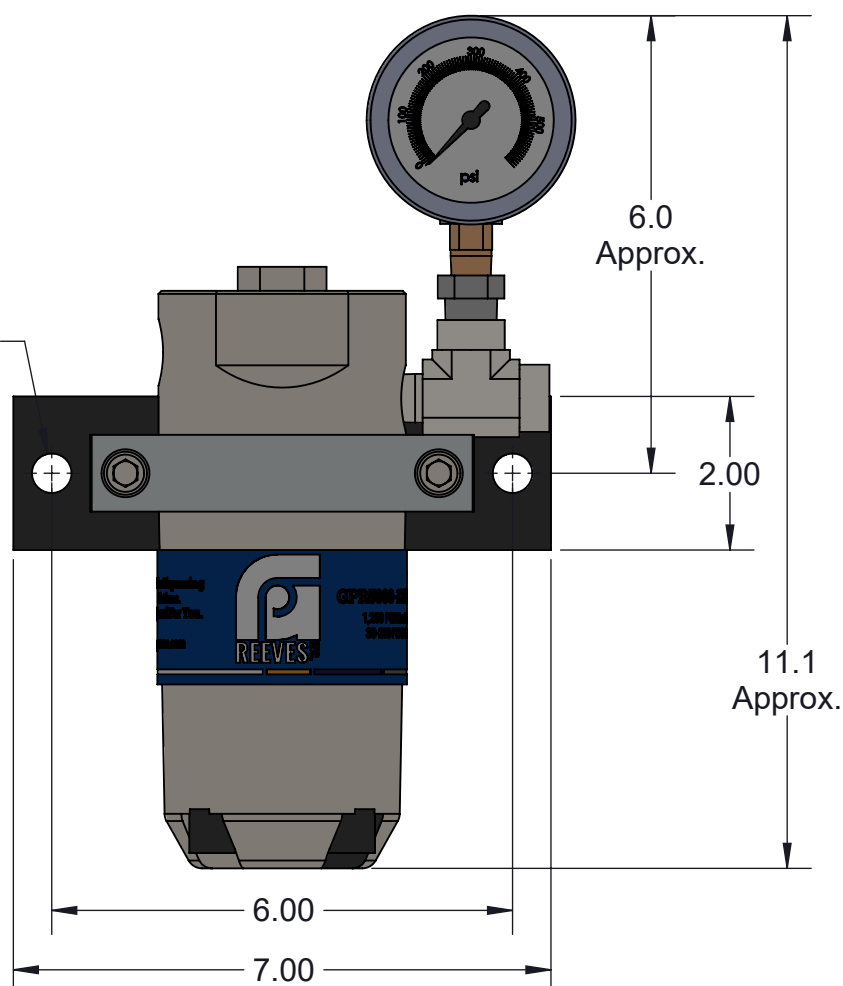


3D Model Available



3/8 NPT GREASE INLET

(2) MOUNTING HOLES FOR 1/2" BOLTS



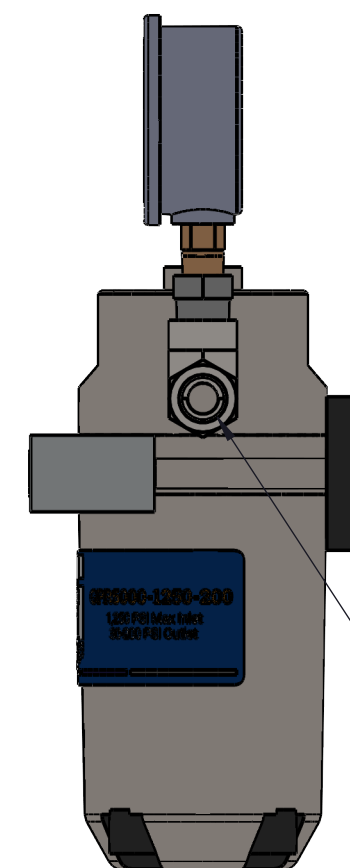
6.0
Approx.

2.00

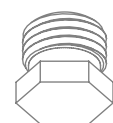
11.1
Approx.

6.00

7.00

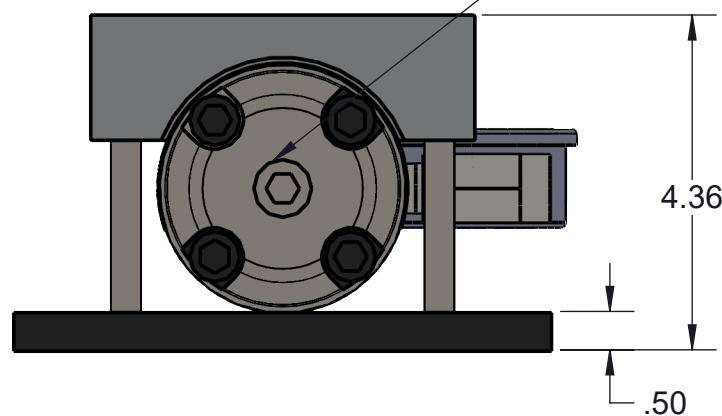


3/8 NPT
GREASE OUTLET



Regulators are shipped with a flush-out plug for maintenance only. Installing this plug will force the regulator open so that material flows freely through. While installed, **outlet pressure will be equal to supply pressure**. This is used to flush debris from the regulator.

GREASE PRESSURE ADJUSTMENT
(USE 3/8" ALLEN WRENCH)
DO NOT ADJUST ABOVE 450 PSI



4.36

.50

GPR5000-3000-450:

Material pressure regulator has maximum primary pressure of 3,000 psi and controlled secondary pressure between 75 and 450 psi. Inlet and outlet ports are 3/8 NPT. Includes mounting bracket for easy panel mounting. Also includes a 0-600 PSI output pressure gauge.

SALES DRAWING

UNLESS SPECIFIED:
DIMENSIONS IN INCHES

PROPRIETARY AND CONFIDENTIAL
THE INFORMATION CONTAINED IN THIS
DRAWING IS THE SOLE PROPERTY OF G.P.
REEVES INC. ANY REPRODUCTION IN PART
OR AS A WHOLE WITHOUT THE WRITTEN
PERMISSION OF G.P. REEVES INC. IS
PROHIBITED.

	BY	DATE
MODELED	ACL	3/19/2015
DETAILED	DDF	8/10/2023



GP REEVES INC
HOLLAND, MI USA

DESCRIPTION:
**PRESSURE REGULATOR, MAX
INLET 3,000 PSI, OUTLET 75 - 450
PSI, 0-600 PSI OUTPUT GAUGE**

DRAWING NO.
GPR5000-3000-450

REV
B

WEIGHT: SIZE B SCALE: 2:5 SHEET 1 OF 3

Last updated: 8/14/2023